

This guide applies to all versions of the linear channel drain:

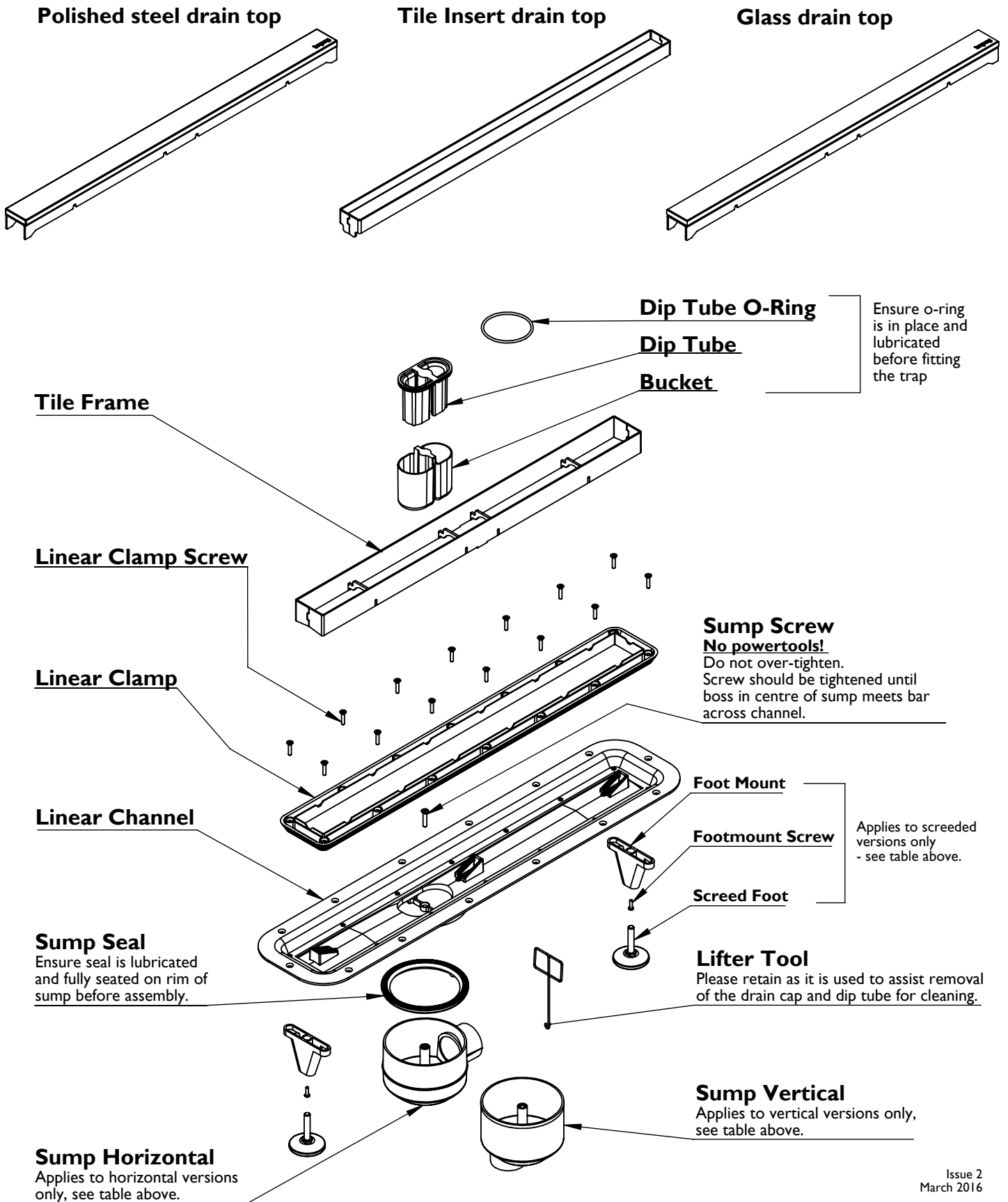
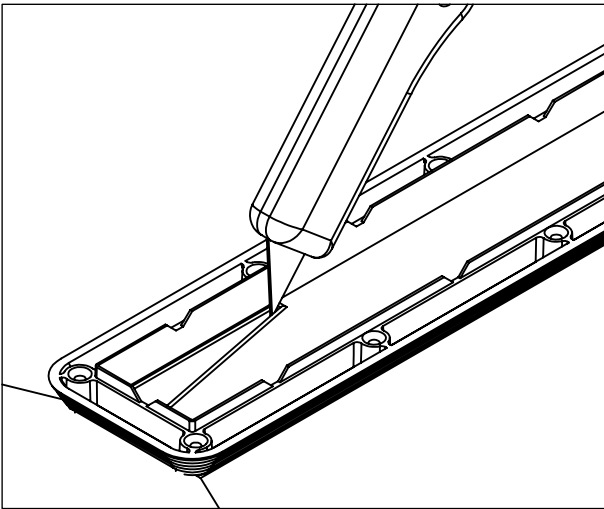


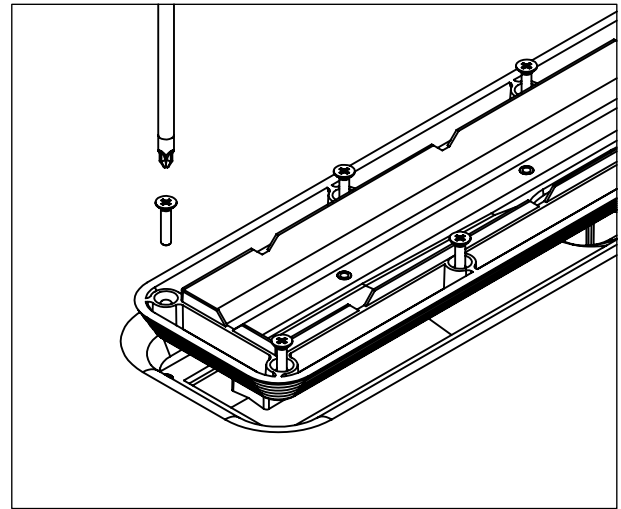
Illustration shows Linear 600 Screeded with horizontal and vertical trap options

Installation details



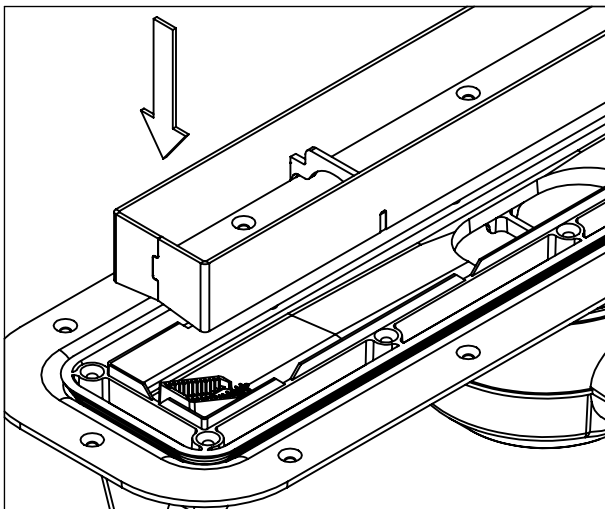
1. Cutting the membrane

Using the linear clamp as a guide, cut the membrane to the inside edge, and remove centre piece. Be careful not to damage the clamp or the drain underneath.

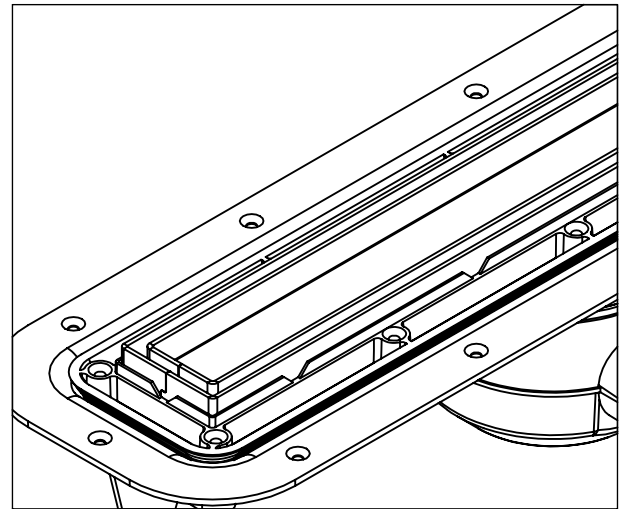


2. Installing the clamp

The clamp should be carefully pressed into position to allow the membrane to stretch over the linear channel. Once the membrane has begun to stretch into place, gradually tighten the screws in stages. The clamp must be lowered evenly into place. **DO NOT USE POWER TOOLS.**



3. Fit the tiling frame



4. Fit the tile*

Cut tile to correct size to fit inside the drain cap. Use appropriate adhesive to bed tile down and ensure it sits level with the edge of the cap.

*Not applicable to polished steel or glass top version.

Safety

Please read these installation instructions carefully before proceeding.

Keep guide for future reference.

Incorrect installation will invalidate the guarantee.

Make sure there are no hidden pipes or cables in the floor or walls where you intend to drill.

Wear safety goggles, shoes and appropriate clothing.

If you are unsure about any part of the installation, please contact our technical department on 01460 258 682