

venturi 6

AQ9357LS

AQ9357RS

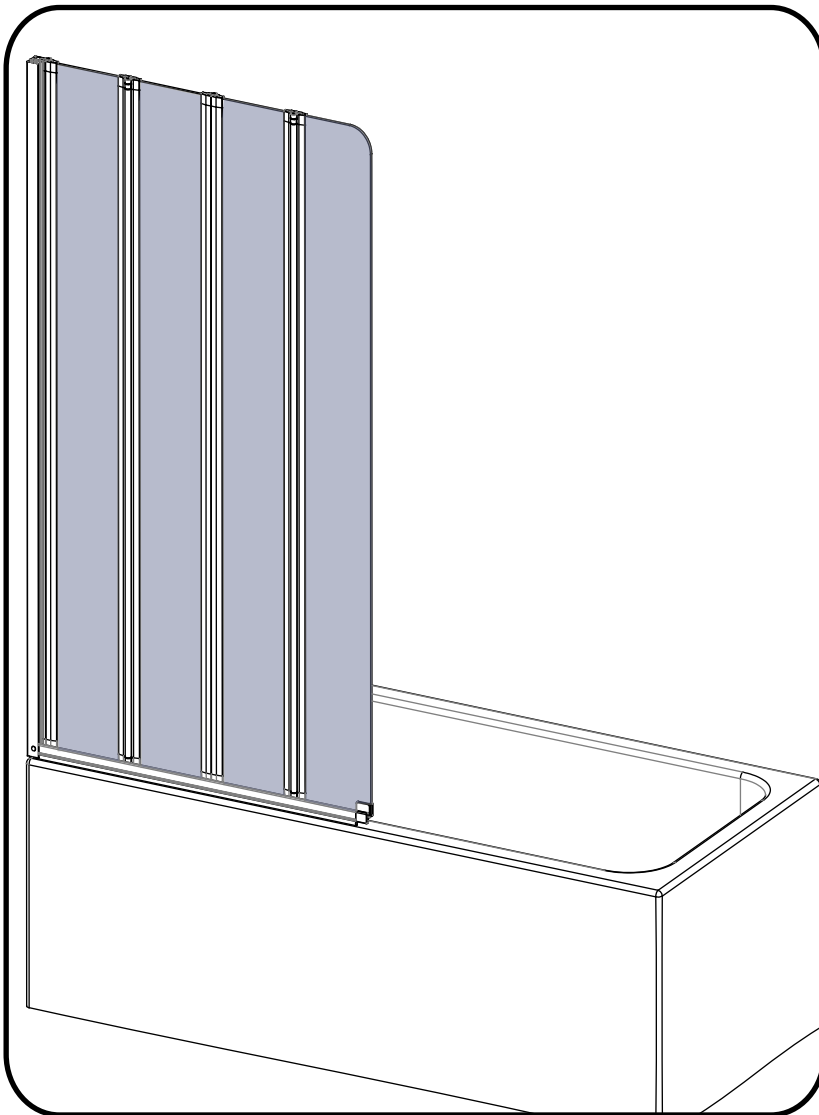
Swiftseal Semi-Frameless 4 Fold Bath Screen

AQUA
DART

®

INSTALLATION INSTRUCTIONS

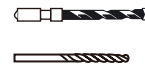
www.aquadart.co.uk



Tools Required



Drill



6mm Masonry Drill
2.75mm Drill bit



Tape Measure



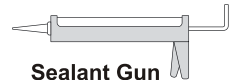
Spirit level



PH2 TYPE
Screwdriver



Pencil



Sealant Gun

Please note hand tools **NOT** supplied.

IMPORTANT

This product should be installed by a suitably qualified and proficient person. The fitting instructions should be followed carefully to ensure a proper and safe installation. Failure to follow these instructions could result in future injury.

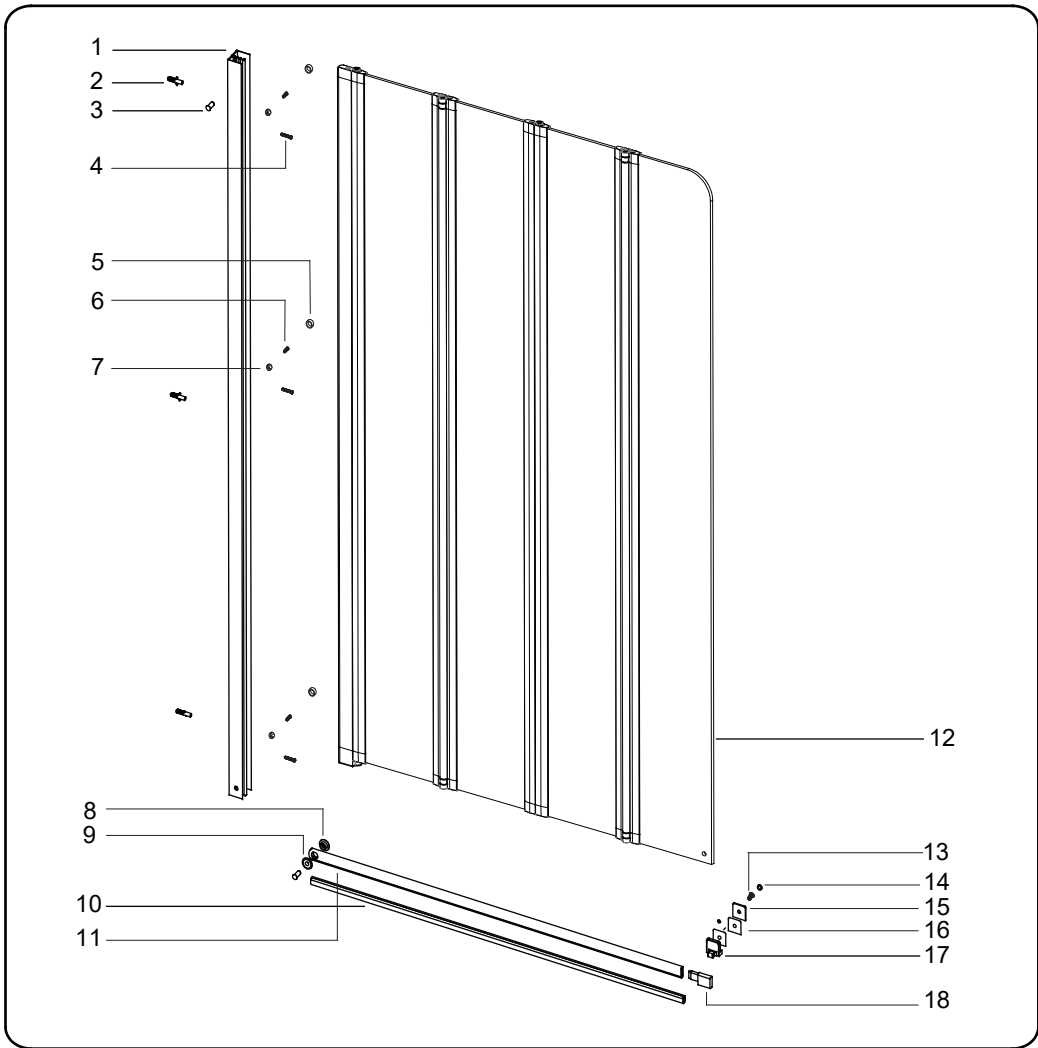
These instructions and list of parts assume that installation is done against solid/tiled walls.

Please check this product for damage prior to starting the installation. No claims can be made after the product has been fitted.

PLEASE NOTE :The minimum and maximum adjustment sizes noted on the product brochures are based on perfectly plumb walls and trays.

USE SAFETY EYE-WEAR WHEN DRILLING

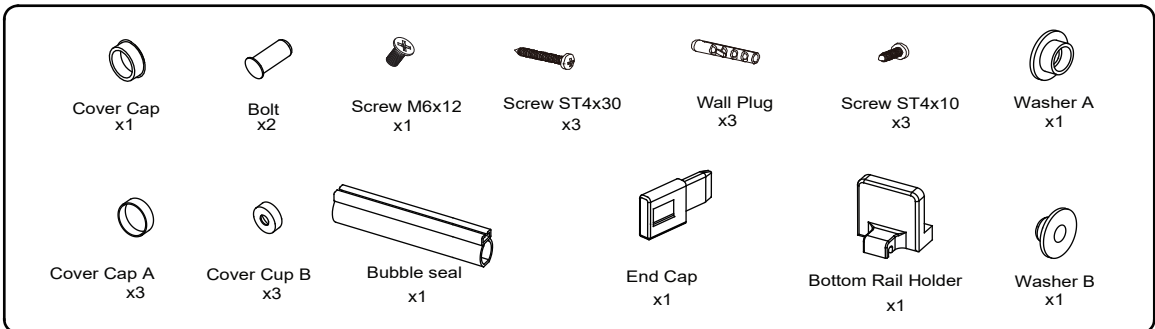
COMPONENTS AND BOX CONTENTS

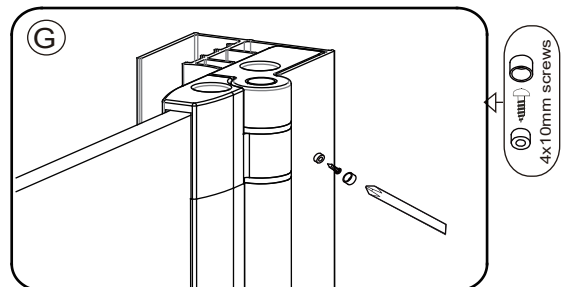
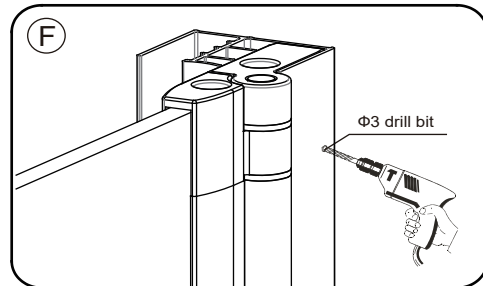
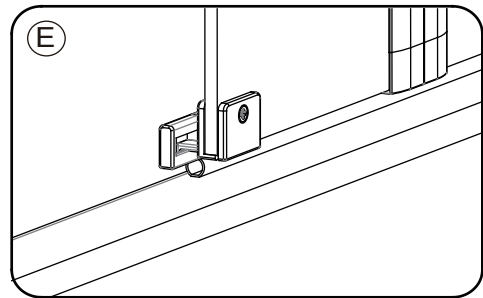
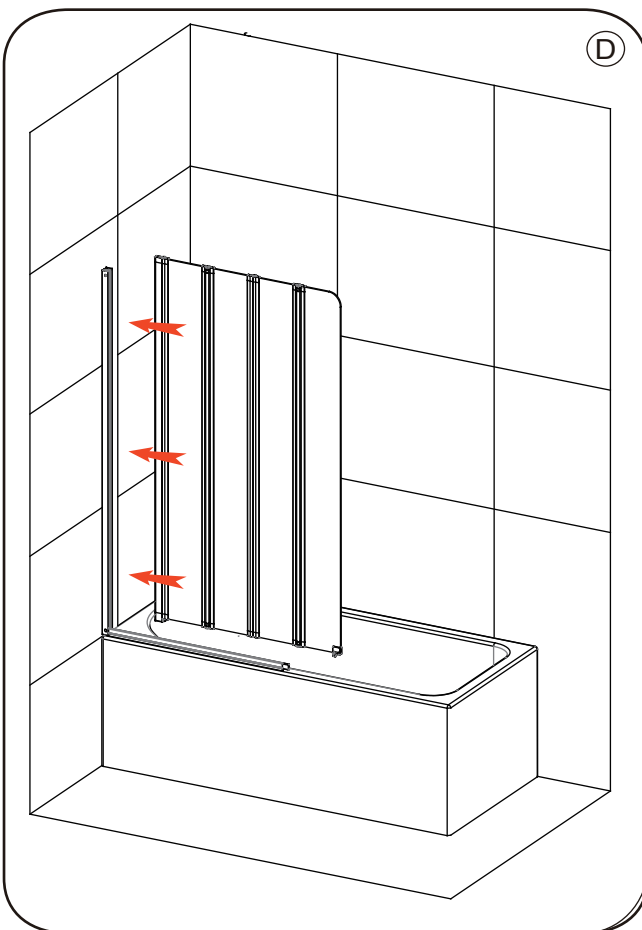
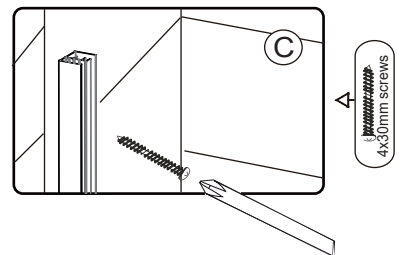
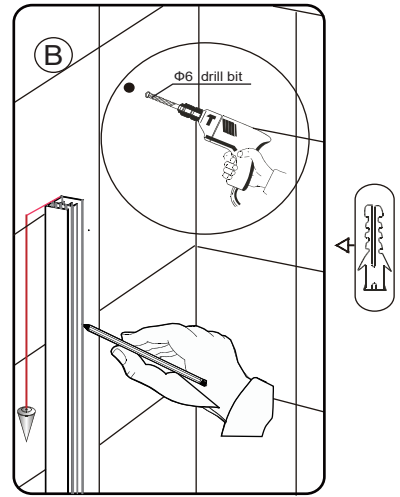
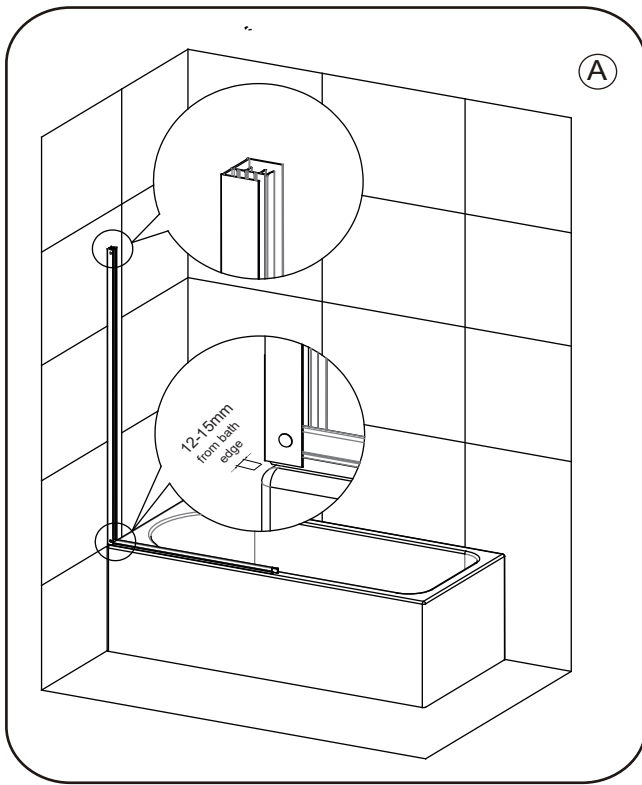


Box Contents

No.	Description	Qty	No.	Description	Qty
1	Wall Profile	1	11	Arm Rail	1
2	Wall Plug	3	12	Bath Screen Assembly	1
3	Bolt	2	13	Fixing Screw M6x12	1
4	Fixing Screw ST 4x30	3	14	Cover Cap(For Rail Holder)	1
5	Cover Cap	3	15	Rail Holder Fixing	1
6	Fixing Screw ST 4x10	3	16	Washers	2
7	Cover Cup	3	17	Bottom Rail Holder	1
8	Washer A	1	18	End Cap	1
9	Washer B	1			
10	Bubble Seal(For Arm Rail)	1			

Fixing Kit





Step 1: Position the wall profile (No 1) onto the bath , approximately 12-15mm from the outside bath edge (Diagram A).

Step 2: Level the profile with a spirit level, then mark the position using a pencil through the 3 pre-drilled screw holes in the wall profile,drill the marked points using a 6mm masonry drill bit. Once this is done insert 3 wall plugs(No.2) (Diagram B).

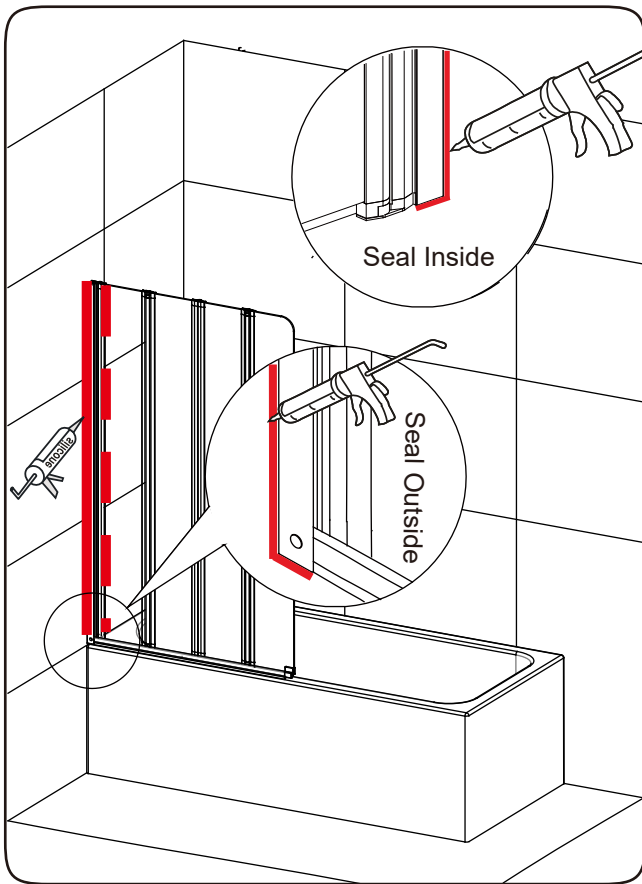
NOTE :You may find it easier to mark and drill the wall if you apply masking tape to it first.

Step 3: Secure the wall profile using 3 x ST4X30 screws (No.4) (Diagram C).

Step 4 : Push the bath screen assembly onto the wall profile (Diagram D). Ensure the bottom rail holder sits in the middle of the groove of the end cap on the bottom arm rail.(Diagram E)

Step 5 : Drill 3 equally spaced holes with a 3mm drill bit through the wall profile into the frame(Diagram F)

Step 6 : Fix the bath screen assembly to the wall profile using the screws ST4 x10 (No.6). (Diagram G)



24 HRS	DO NOT USE THE ENCLOSURE FOR 24 HOURS AFTER SEALING

Applying Silicone Sealant

Sealing Inside

Seal from the top of the wall profile to the bottom on the **INSIDE** between the wall profile and the wall.

IMPORTANT: Do not apply sealant on inside of the bath.

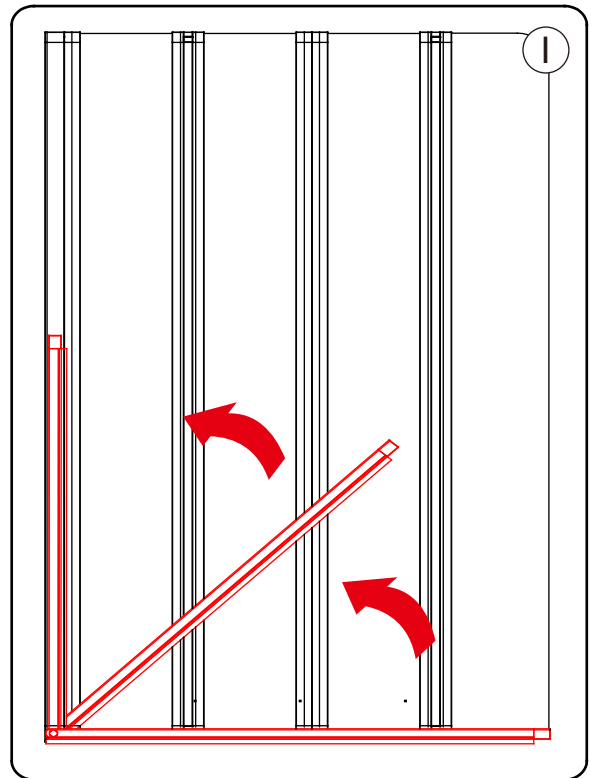
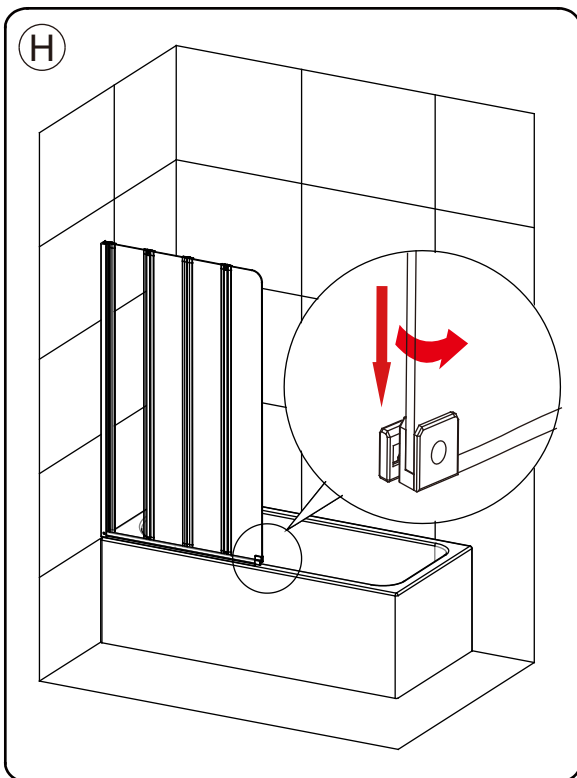
Sealing Outside

Seal from the top of the wall profile to the bottom between the wall profile and tiles.

To open the bath screen please follow the steps as below:

Press the bottom rail profile with a soft downwards motion to release it from the rail holder.(Diagram H)

Lift the bottom rail to rotate it into the wall profile channel(Diagram I), then you can open/close the bath screen.



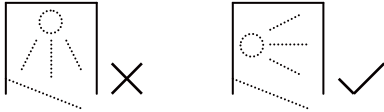
AFTERCARE

Cleaning Instructions

It is important to clean your Aquadart shower enclosure after every use. Please wipe down all glass and metal parts with a clean soft cloth. Ensure that all residual water on the glass is removed after every use.

Usage

For reliable, watertight performance from your Aquadart enclosure your shower head should not be positioned so that the shower sprays directly onto the enclosure door. Failure to comply with this may cause the shower to leak. Outward opening doors may cause water to drip onto the floor, please ensure that the floor covering immediately outside the enclosure will not be affected by water.



This product has been treated with Clean & Clear™ easy clean glass treatment, a protective barrier which creates a 'non-stick' surface on your glass, helping to resist lime scale build up and water spots. For further information on Clean & Clear™ please visit www.aquadart.co.uk

Aftercare

Clean & Clear™ glass can be cleaned with any suitable nonabrasive glass cleaner - with PH value of between 3-11; the coating will not be damaged. Avoid surfactants and heavily perfumed products. Vinegar and water based products are very effective. Do not use abrasive scrubbing cleaners or equipment for cleaning.

Warranty

Limited 5 year Warranty for Clean & Clear™ treatment: To guarantee treated surfaces will remain more repellent than untreated glass for 5 years from start of use, as long as basic manufacturer maintenance recommendations are followed and no harsh or abrasive cleaners are used.